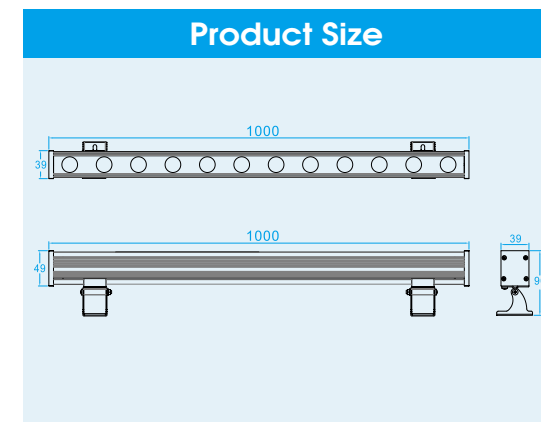


LED 洗墙灯

LED Wall Washer light

Application Apply for building wall, bridge, Tunnel, Car wash, and other outdoor lighting area.

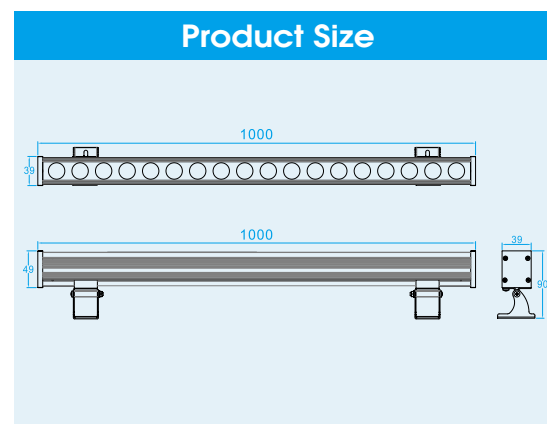


Specification

Model No.:	RS-WW12W-BS(88336)
Front cover & Housing:	Aluminum body
Dimensions:	L1000*W39*H49mm(H90mm with bracket)
Tempered Glass:	4mm thickness
LED chip:	Epistar
LED Q'ty:	12pcs 1W LED
Cable gland:	Nickel plated brass PG9
Driver:	Constant current driver
Lens:	Clear, Bead, Frosted
Beam Angle Options:	10° 30° 45° 60° 90°
Power Cable:	2*1.0mm ² / 3*0.75mm ² / 4*0.75mm ² / 2*1.0+3*0.5mm ² VDE rubber cable
Protection Class:	IP65
Environment:	Dry
Mounting Hardware:	Wall Mounted System
Net Weight:	2.3kgs with 1m cable
Lifetime:	>50000H

Order information

Item code	Color	Light source(w)	Line Way	Input Voltage (v)	Operating current (mA)	Consumption (w)	Luminous flux (lm)
88336.121.01	2700-3000K	12*1	V+/V- or L/N/G	DC24, AC90-230	500 / 54-108	12	1080
88336.121.02	4000-4500K	12*1	V+/V- or L/N/G	DC24, AC90-230	500 / 54-108	12	1140
88336.121.03	5000-5500K	12*1	V+/V- or L/N/G	DC24, AC90-230	500 / 54-108	12	1200
88336.121.04	6000-6500K	12*1	V+/V- or L/N/G	DC24, AC90-230	500 / 54-108	12	1200
88336.121.05	Red	12*1	V+/V- or L/N/G	DC24, AC90-230	500 / 54-108	12	300
88336.121.06	Green	12*1	V+/V- or L/N/G	DC24, AC90-230	500 / 54-108	12	720
88336.121.07	Blue	12*1	V+/V- or L/N/G	DC24, AC90-230	500 / 54-108	12	360
88336.121.08	Yellow	12*1	V+/V- or L/N/G	DC24, AC90-230	500 / 54-108	12	840
88336.121.09	RGB-DMX512 (3 channel)	12*1	V+/V-/D+/D-/GND	DC24	R: 166 G: 166 B: 166	R: 4 G: 4 B: 4	R: 100 G: 240 B: 120
88336.121.10	Auto changing color	12*1	V+/V-	AC24	R: 166 G: 166 B: 166	R: 4 G: 4 B: 4	R: 100 G: 240 B: 120
88336.121.12	RGBV+ (build-in CC driver)	12*1	R/G/B/V+	DC24	R: 166 G: 166 B: 166	R: 4 G: 4 B: 4	R: 100 G: 240 B: 120

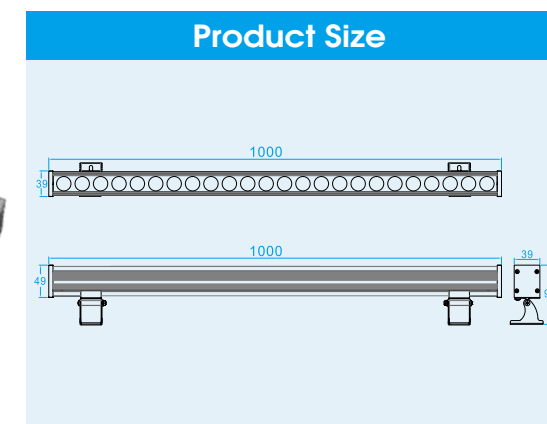


Specification

Model No.:	RS-WW18W-E(88336)
Front cover & Housing:	Aluminum body
Dimensions:	L1000*W39*H49mm(H90mm with bracket)
Tempered Glass:	4mm thickness
LED chip:	Epistar
LED Q'ty:	18pcs 1W LED
Cable gland:	Nickel plated brass PG9
Driver:	Constant current driver
Lens:	Clear, Bead, Frosted
Beam Angle Options:	10° 30° 45° 60° 90°
Power Cable:	2*1.0mm ² / 3*0.75mm ² / 4*0.75mm ² / 2*1.0+3*0.5mm ² VDE rubber cable
Protection Class:	IP65
Environment:	Dry
Mounting Hardware:	Wall Mounted System
Net Weight:	2.3kgs with 1m cable
Lifetime:	>50000H

Order information

Item code	Color	Light source(w)	Line Way	Input Voltage (v)	Operating current (mA)	Consumption (w)	Luminous flux (lm)
88336.181.01	2700-3000K	18*1	V+/V- or L/N/G	DC24, AC90-230	750 / 82-163	18	1620
88336.181.02	4000-4500K	18*1	V+/V- or L/N/G	DC24, AC90-230	750 / 82-163	18	1710
88336.181.03	5000-5500K	18*1	V+/V- or L/N/G	DC24, AC90-230	750 / 82-163	18	1800
88336.181.04	6000-6500K	18*1	V+/V- or L/N/G	DC24, AC90-230	750 / 82-163	18	1800
88336.181.05	Red	18*1	V+/V- or L/N/G	DC24, AC90-230	750 / 82-163	18	450
88336.181.06	Green	18*1	V+/V- or L/N/G	DC24, AC90-230	750 / 82-163	18	1080
88336.181.07	Blue	18*1	V+/V- or L/N/G	DC24, AC90-230	750 / 82-163	18	540
88336.181.08	Yellow	18*1	V+/V- or L/N/G	DC24, AC90-230	750 / 82-163	18	1260
88336.181.09	RGB-DMX512 (3 channel)	18*1	V+/V- /D+/D-/GND	DC24	R: 250 G: 250 B: 250	R: 6 G: 6 B: 6	R: 150 G: 360 B: 180
88336.181.10	Auto changing color	18*1	V+/V-	AC24	R: 250 G: 250 B: 250	R: 6 G: 6 B: 6	R: 150 G: 360 B: 180
88336.181.12	RGBV+ (build-in CC driver)	18*1	R/G/B/V+	DC24	R: 250 G: 250 B: 250	R: 6 G: 6 B: 6	R: 150 G: 360 B: 180



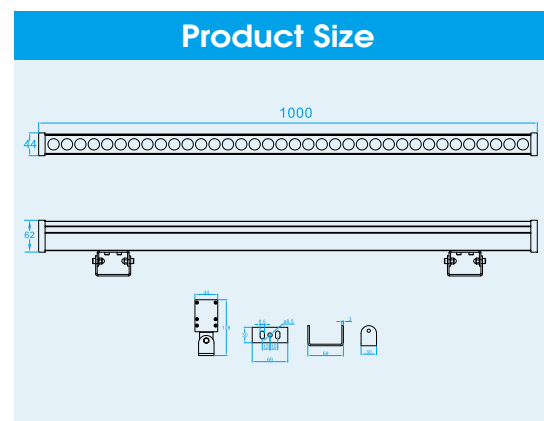
Specification

Model No.:	RS-WW24W-W(88336)
Front cover & Housing:	Aluminum body
Dimensions:	L1000*W39*H49mm(H90mm with bracket)
Tempered Glass:	4mm thickness
LED chip:	Epistar
LED Q'ty:	24pcs 1W LED
Cable gland:	Nickel plated brass PG9
Driver:	Constant current driver
Lens:	Clear, Bead, Frosted
Beam Angle Options:	10° 30° 45° 60° 90°
Power Cable:	2*1.0mm ² / 3*0.75mm ² / 4*0.75mm ² / 2*1.0+3*0.5mm ² VDE rubber cable
Protection Class:	IP65
Environment:	Dry
Mounting Hardware:	Wall Mounted System
Net Weight:	2.3kgs with 1m cable
Lifetime:	>50000H

Order information

Item code	Color	Light source(w)	Line Way	Input Voltage (v)	Operating current (mA)	Consumption (w)	Luminous flux (lm)
88336.241.01	2700-3000K	24*1	V+/V- or L/N/G	DC24, AC90-230	1000 / 109-218	24	2160
88336.241.02	4000-4500K	24*1	V+/V- or L/N/G	DC24, AC90-230	1000 / 109-218	24	2280
88336.241.03	5000-5500K	24*1	V+/V- or L/N/G	DC24, AC90-230	1000 / 109-218	24	2400
88336.241.04	6000-6500K	24*1	V+/V- or L/N/G	DC24, AC90-230	1000 / 109-218	24	2400
88336.241.05	Red	24*1	V+/V- or L/N/G	DC24, AC90-230	1000 / 109-218	24	600
88336.241.06	Green	24*1	V+/V- or L/N/G	DC24, AC90-230	1000 / 109-218	24	1440
88336.241.07	Blue	24*1	V+/V- or L/N/G	DC24, AC90-230	1000 / 109-218	24	720
88336.241.08	Yellow	24*1	V+/V- or L/N/G	DC24, AC90-230	1000 / 109-218	24	1680
88336.241.09	RGB-DMX512 (3 channel)	24*1	V+/V- /D+/D-/GND	DC24	R: 333 G: 333 B: 333	R: 8 G: 8 B: 8	R: 200 G: 480 B: 240
88336.241.10	Auto changing color	24*1	V+/V-	AC24	R: 333 G: 333 B: 333	R: 8 G: 8 B: 8	R: 200 G: 480 B: 240
88336.241.12	RGBV+ (build-in CC driver)	24*1	R/G/B/V+	DC24	R: 333 G: 333 B: 333	R: 8 G: 8 B: 8	R: 200 G: 480 B: 240



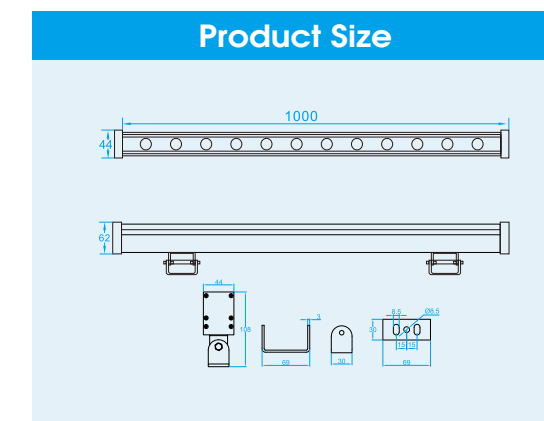


Specification

Model No.:	RS-WW36W-B(88304)
Front cover & Housing:	Aluminum body
Dimensions:	L1000*W44*H62mm(H108mm with bracket)
Tempered Glass:	3mm thickness
LED chip:	Epistar
LED Q'ty:	36pcs 1W LED
Cable gland:	Nickel plated brass PG9
Driver:	Constant current driver
Lens:	Clear, Bead, Frosted
Beam Angle Options:	10° 30° 45° 60° 90°
Power Cable:	2*1.0mm ² / 3*0.75mm ² / 4*0.75mm ² / 2*1.0+3*0.5mm ² VDE rubber cable
Protection Class:	IP65
Environment:	Dry
Mounting Hardware:	Wall Mounted System
Net Weight:	2.8kgs with 1m cable
Lifetime:	>50000H

Order information

Item code	Color	Light source(w)	Line Way	Input Voltage (v)	Operating current (mA)	Consumption (w)	Luminous flux (lm)
88304.361.01	2700-3000K	36*1	V+/V- or L/N/G	DC24, AC90-230	1500 / 163-327	36	3240
88304.361.02	4000-4500K	36*1	V+/V- or L/N/G	DC24, AC90-230	1500 / 163-327	36	3420
88304.361.03	5000-5500K	36*1	V+/V- or L/N/G	DC24, AC90-230	1500 / 163-327	36	3600
88304.361.04	6000-6500K	36*1	V+/V- or L/N/G	DC24, AC90-230	1500 / 163-327	36	3600
88304.361.05	Red	36*1	V+/V- or L/N/G	DC24, AC90-230	1500 / 163-327	36	900
88304.361.06	Green	36*1	V+/V- or L/N/G	DC24, AC90-230	1500 / 163-327	36	2160
88304.361.07	Blue	36*1	V+/V- or L/N/G	DC24, AC90-230	1500 / 163-327	36	1080
88304.361.08	Yellow	36*1	V+/V- or L/N/G	DC24, AC90-230	1500 / 163-327	36	2520
88304.361.09	RGB-DMX512 (3 channel)	36*1	V+/V- /D+ /D- /GND	DC24	R: 500 G: 500 B: 500	R: 12 G: 12 B: 12	R: 300 G: 720 B: 360 W: 840
88304.361.10	Auto changing color	36*1	V+/V-	AC24	R: 500 G: 500 B: 500	R: 12 G: 12 B: 12	R: 300 G: 720 B: 360 W: 840
88304.361.12	RGBV+ (build-in CC driver)	36*1	R/G/B/V+	DC24	R: 500 G: 500 B: 500	R: 12 G: 12 B: 12	R: 300 G: 720 B: 360 W: 840

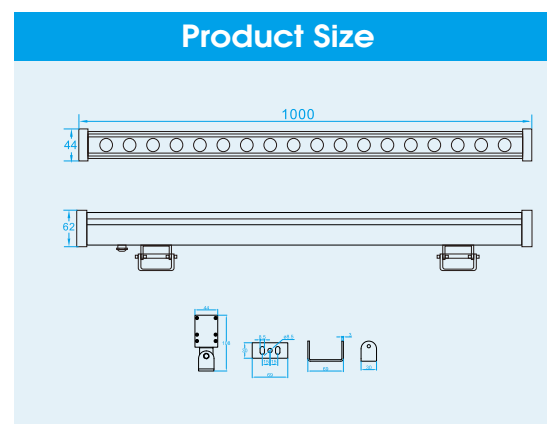


Specification

Model No.:	RS-WW48W-B(88304)
Front cover & Housing:	Aluminum body
Dimensions:	L1000*W44*H62mm(H108mm with bracket)
Tempered Glass:	3mm thickness
LED chip:	Epistar
LED Q'ty:	12pcs 4in1 LED
Cable gland:	Nickel plated brass PG9
Driver:	Constant current driver
Lens:	Clear, Bead, Frosted
Beam Angle Options:	20° 45° 60° 90°
Power Cable:	4*0.75mm ² / 2*1.0+ 3*0.75mm ² VDE rubber cable
Protection Class:	IP65
Environment:	Dry
Mounting Hardware:	Wall Mounted System
Net Weight:	2.8kgs with 1m cable
Lifetime:	>50000H

Order information

Item code	Color	Light source(w)	Line Way	Input Voltage (v)	Operating current (mA)	Consumption (w)	Luminous flux (lm)
88304.124.01	RGBW-DMX512 (4 channel)	12*4in1	V+/V- /D+ /D- /GND	DC24	R: 500 G: 500 B: 500 W: 500	R: 12 G: 12 B: 12 W: 12	R: 300 G: 720 B: 360 W: 840
88304.124.04	RGBW+ (build-in CC driver)	12*4in1	R/G/B/V+	DC24	R: 500 G: 500 B: 500 W: 500	R: 12 G: 12 B: 12 W: 12	R: 300 G: 720 B: 360 W: 840

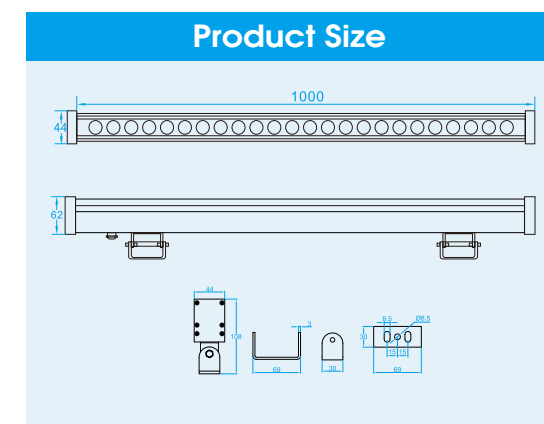


Specification

Model No.:	RS-WW18W-B(88306)
Front cover & Housing:	Aluminum body
Dimensions:	L1000*W44*H62mm(H108mm with bracket)
Tempered Glass:	3mm thickness
LED chip:	Epistar
LED Q'ty:	18pcs 1W LED
Cable gland:	Nickel plated brass PG9
Driver:	Constant current driver
Lens:	Clear, Bead, Frosted
Beam Angle Options:	10° 30° 45° 60° 90°
Power Cable:	2*1.0mm ² / 3*0.75mm ² / 4*0.75mm ² / 2*1.0+3*0.5mm ² VDE rubber cable
Protection Class:	IP65
Environment:	Dry
Mounting Hardware:	Wall Mounted System
Net Weight:	2.8kgs with 1m cable
Lifetime:	>50000H

Order information

Item code	Color	Light source(w)	Line Way	Input Voltage (v)	Operating current (mA)	Consumption (w)	Luminous flux (lm)
88306.181.01	2700-3000K	18*1	V+/V- or L/N/G	DC24, AC90-230	750 / 82-163	18	1620
88306.181.02	4000-4500K	18*1	V+/V- or L/N/G	DC24, AC90-230	750 / 82-163	18	1710
88306.181.03	5000-5500K	18*1	V+/V- or L/N/G	DC24, AC90-230	750 / 82-163	18	1800
88306.181.04	6000-6500K	18*1	V+/V- or L/N/G	DC24, AC90-230	750 / 82-163	18	1800
88306.181.05	Red	18*1	V+/V- or L/N/G	DC24, AC90-230	750 / 82-163	18	450
88306.181.06	Green	18*1	V+/V- or L/N/G	DC24, AC90-230	750 / 82-163	18	1080
88306.181.07	Blue	18*1	V+/V- or L/N/G	DC24, AC90-230	750 / 82-163	18	540
88306.181.08	Yellow	18*1	V+/V- or L/N/G	DC24, AC90-230	750 / 82-163	18	1260
88306.181.09	RGB-DMX512 (3 channel)	18*1	V+/V- /D+/D-/GND	DC24	R: 250 G: 250 B: 250	R: 6 G: 6 B: 6	R: 150 G: 360 B: 180
88306.181.10	Auto changing color	18*1	V+/V-	AC24	R: 250 G: 250 B: 250	R: 6 G: 6 B: 6	R: 150 G: 360 B: 180
88306.181.12	RGBV+ (build-in CC driver)	18*1	R/G/B/V+	DC24	R: 250 G: 250 B: 250	R: 6 G: 6 B: 6	R: 150 G: 360 B: 180



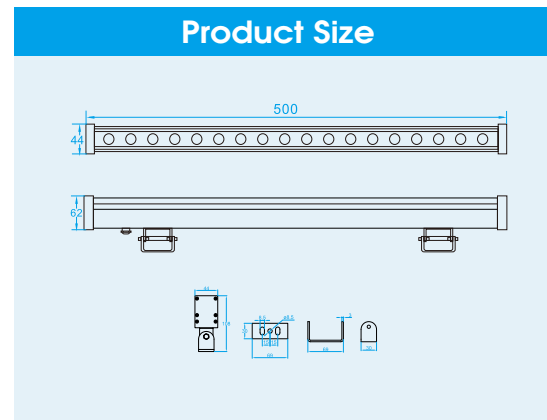
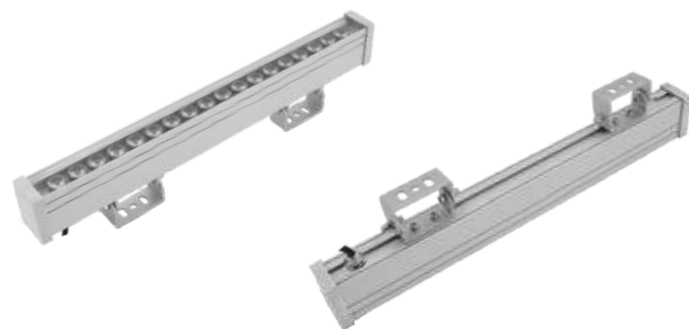
Specification

Model No.:	RS-WW24W-B(88306)
Front cover & Housing:	Aluminum body
Dimensions:	L1000*W44*H62mm(H108mm with bracket)
Tempered Glass:	3mm thickness
LED chip:	Epistar
LED Q'ty:	24pcs 1W LED
Cable gland:	Nickel plated brass PG9
Driver:	Constant current driver
Lens:	Clear, Bead, Frosted
Beam Angle Options:	10° 30° 45° 60° 90°
Power Cable:	2*1.0mm ² / 3*0.75mm ² / 4*0.75mm ² / 2*1.0+3*0.5mm ² VDE rubber cable
Protection Class:	IP65
Environment:	Dry
Mounting Hardware:	Wall Mounted System
Net Weight:	2.8kgs with 1m cable
Lifetime:	>50000H

Order information

Item code	Color	Light source(w)	Line Way	Input Voltage (v)	Operating current (mA)	Consumption (w)	Luminous flux (lm)
88306.241.01	2700-3000K	24*1	V+/V- or L/N/G	DC24, AC90-230	1000 / 109-218	24	2160
88306.241.02	4000-4500K	24*1	V+/V- or L/N/G	DC24, AC90-230	1000 / 109-218	24	2280
88306.241.03	5000-5500K	24*1	V+/V- or L/N/G	DC24, AC90-230	1000 / 109-218	24	2400
88306.241.04	6000-6500K	24*1	V+/V- or L/N/G	DC24, AC90-230	1000 / 109-218	24	2400
88306.241.05	Red	24*1	V+/V- or L/N/G	DC24, AC90-230	1000 / 109-218	24	600
88306.241.06	Green	24*1	V+/V- or L/N/G	DC24, AC90-230	1000 / 109-218	24	1440
88306.241.07	Blue	24*1	V+/V- or L/N/G	DC24, AC90-230	1000 / 109-218	24	720
88306.241.08	Yellow	24*1	V+/V- or L/N/G	DC24, AC90-230	1000 / 109-218	24	1680
88306.241.09	RGB-DMX512 (3 channel)	24*1	V+/V- /D+/D-/GND	DC24	R: 333 G: 333 B: 333	R: 8 G: 8 B: 8	R: 200 G: 480 B: 240
88306.241.10	Auto changing color	24*1	V+/V-	AC24	R: 333 G: 333 B: 333	R: 8 G: 8 B: 8	R: 200 G: 480 B: 240
88306.241.12	RGBV+ (build-in CC driver)	24*1	R/G/B/V+	DC24	R: 333 G: 333 B: 333	R: 8 G: 8 B: 8	R: 200 G: 480 B: 240



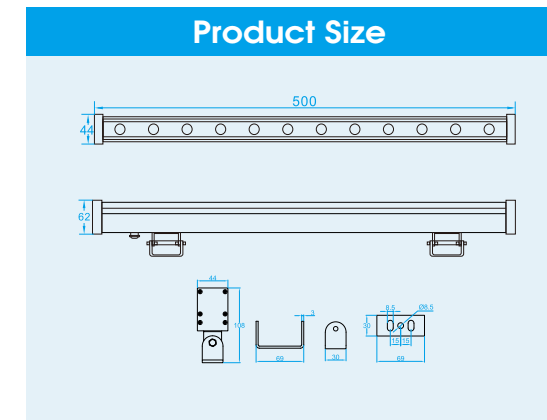


Specification

Model No.:	RS-WW18W-BS(88305)
Front cover & Housing:	Aluminum body
Dimensions:	L500*W44*H62mm(H108mm with bracket)
Tempered Glass:	3mm thickness
LED chip:	Epistar
LED Q'ty:	18pcs 1W LED
Cable gland:	Nickel plated brass PG9
Driver:	Constant current driver
Lens:	Clear, Bead, Frosted
Beam Angle Options:	10° 30° 45° 60° 90°
Power Cable:	2*1.0mm ² / 3*0.75mm ² / 4*0.75mm ² / 2*1.0+3*0.5mm ² VDE rubber cable
Protection Class:	IP65
Environment:	Dry
Mounting Hardware:	Wall Mounted System
Net Weight:	1.6kgs with 1m cable
Lifetime:	>50000H

Order information

Item code	Color	Light source(w)	Line Way	Input Voltage (v)	Operating current (mA)	Consumption (w)	Luminous flux (lm)
88305.181.01	2700-3000K	18*1	V+/V- or L/N/G	DC24, AC90-230	750 / 82-163	18	1620
88305.181.02	4000-4500K	18*1	V+/V- or L/N/G	DC24, AC90-230	750 / 82-163	18	1710
88305.181.03	5000-5500K	18*1	V+/V- or L/N/G	DC24, AC90-230	750 / 82-163	18	1800
88305.181.04	6000-6500K	18*1	V+/V- or L/N/G	DC24, AC90-230	750 / 82-163	18	1800
88305.181.05	Red	18*1	V+/V- or L/N/G	DC24, AC90-230	750 / 82-163	18	450
88305.181.06	Green	18*1	V+/V- or L/N/G	DC24, AC90-230	750 / 82-163	18	1080
88305.181.07	Blue	18*1	V+/V- or L/N/G	DC24, AC90-230	750 / 82-163	18	540
88305.181.08	Yellow	18*1	V+/V- or L/N/G	DC24, AC90-230	750 / 82-163	18	1260
88305.181.09	RGB-DMX512 (3 channel)	18*1	V+/V- /D+/D-/GND	DC24	R: 250 G: 250 B: 250	R: 6 G: 6 B: 6	R: 150 G: 360 B: 180
88305.181.10	Auto changing color	18*1	V+/V-	AC24	R: 250 G: 250 B: 250	R: 6 G: 6 B: 6	R: 150 G: 360 B: 180
88305.181.12	RGBV+ (build-in CC driver)	18*1	R/G/B/V+	DC24	R: 250 G: 250 B: 250	R: 6 G: 6 B: 6	R: 150 G: 360 B: 180



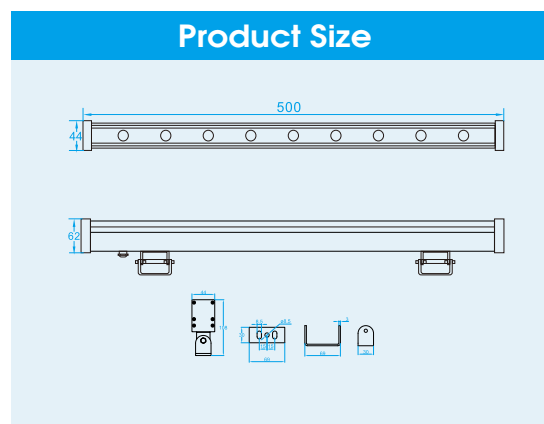
Specification

Model No.:	RS-WW36W-BS(88305)
Front cover & Housing:	Aluminum body
Dimensions:	L500*W44*H62mm(H108mm with bracket)
Tempered Glass:	3mm thickness
LED chip:	Epistar
LED Q'ty:	12pcs 3in1 LED
Cable gland:	Nickel plated brass PG9
Driver:	Constant current driver
Lens:	Clear, Bead, Frosted
Beam Angle Options:	10° 30° 45° 60° 90°
Power Cable:	2*1.0mm ² / 4*0.75mm ² / 2*1.0+3*0.5mm ² VDE rubber cable
Protection Class:	IP65
Environment:	Dry
Mounting Hardware:	Wall Mounted System
Net Weight:	1.6kgs with 1m cable
Lifetime:	>50000H

Order information

Item code	Color	Light source(w)	Line Way	Input Voltage (v)	Operating current (mA)	Consumption (w)	Luminous flux (lm)
88305.123.01	RGB-DMX512 (3 channel)	12*3in1	V+/V- /D+/D-/GND	DC24	R: 500 G: 500 B: 500	R: 12 G: 12 B: 12	R: 300 G: 720 B: 360
88305.123.02	Auto changing color	12*3in1	V+/V-	AC24	R: 500 G: 500 B: 500	R: 12 G: 12 B: 12	R: 300 G: 720 B: 360
88305.123.04	RGBV+ (build-in CC driver)	12*3in1	R/G/B/V+	DC24	R: 500 G: 500 B: 500	R: 12 G: 12 B: 12	R: 300 G: 720 B: 360



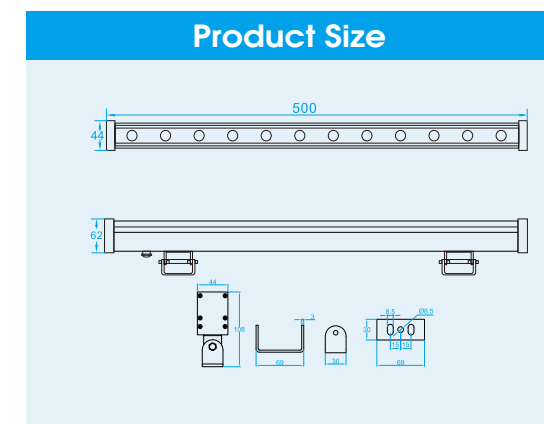


Specification

Model No.:	RS-WW9W-BS(88307)
Front cover & Housing:	Aluminum body
Dimensions:	L500*W44*H62mm(H108mm with bracket)
Tempered Glass:	3mm thickness
LED chip:	Epistar
LED Q'ty:	9pcs 1W LED
Cable gland:	Nickel plated brass PG9
Driver:	Constant current driver
Lens:	Clear, Bead, Frosted
Beam Angle Options:	10° 30° 45° 60° 90°
Power Cable:	2*1.0mm ² / 3*0.75mm ² / 4*0.75mm ² / 2*1.0+3*0.5mm ² VDE rubber cable
Protection Class:	IP65
Environment:	Dry
Mounting Hardware:	Wall Mounted System
Net Weight:	1.6kgs with 1m cable
Lifetime:	>50000H

Order information

Item code	Color	Light source(w)	Line Way	Input Voltage (v)	Operating current (mA)	Consumption (w)	Luminous flux (lm)
88307.091.01	2700-3000K	9*1	V+/V- or L/N/G	DC24, AC90-230	375 / 40-80	9	810
88307.091.02	4000-4500K	9*1	V+/V- or L/N/G	DC24, AC90-230	375 / 40-80	9	855
88307.091.03	5000-5500K	9*1	V+/V- or L/N/G	DC24, AC90-230	375 / 40-80	9	900
88307.091.04	6000-6500K	9*1	V+/V- or L/N/G	DC24, AC90-230	375 / 40-80	9	900
88307.091.05	Red	9*1	V+/V- or L/N/G	DC24, AC90-230	375 / 40-80	9	225
88307.091.06	Green	9*1	V+/V- or L/N/G	DC24, AC90-230	375 / 40-80	9	540
88307.091.07	Blue	9*1	V+/V- or L/N/G	DC24, AC90-230	375 / 40-80	9	270
88307.091.08	Yellow	9*1	V+/V- or L/N/G	DC24, AC90-230	375 / 40-80	9	630
88307.091.09	RGB-DMX512 (3 channel)	9*1	V+/V- /D+/D-/GND	DC24	R: 125 B:125 G: 125	R: 3 B: 3 G: 3	R: 75 G: 180 B: 90
88307.091.10	Auto changing color	9*1	V+/V-	AC24	R: 125 B:125 G: 125	R: 3 B: 3 G: 3	R: 75 G: 180 B: 90
88307.091.12	RGBV+ (build-in CC driver)	9*1	R/G/B/V+	DC24	R: 125 B:125 G: 125	R: 3 B: 3 G: 3	R: 75 G: 180 B: 90



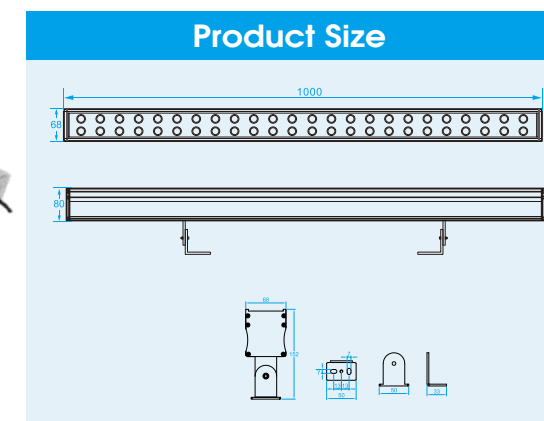
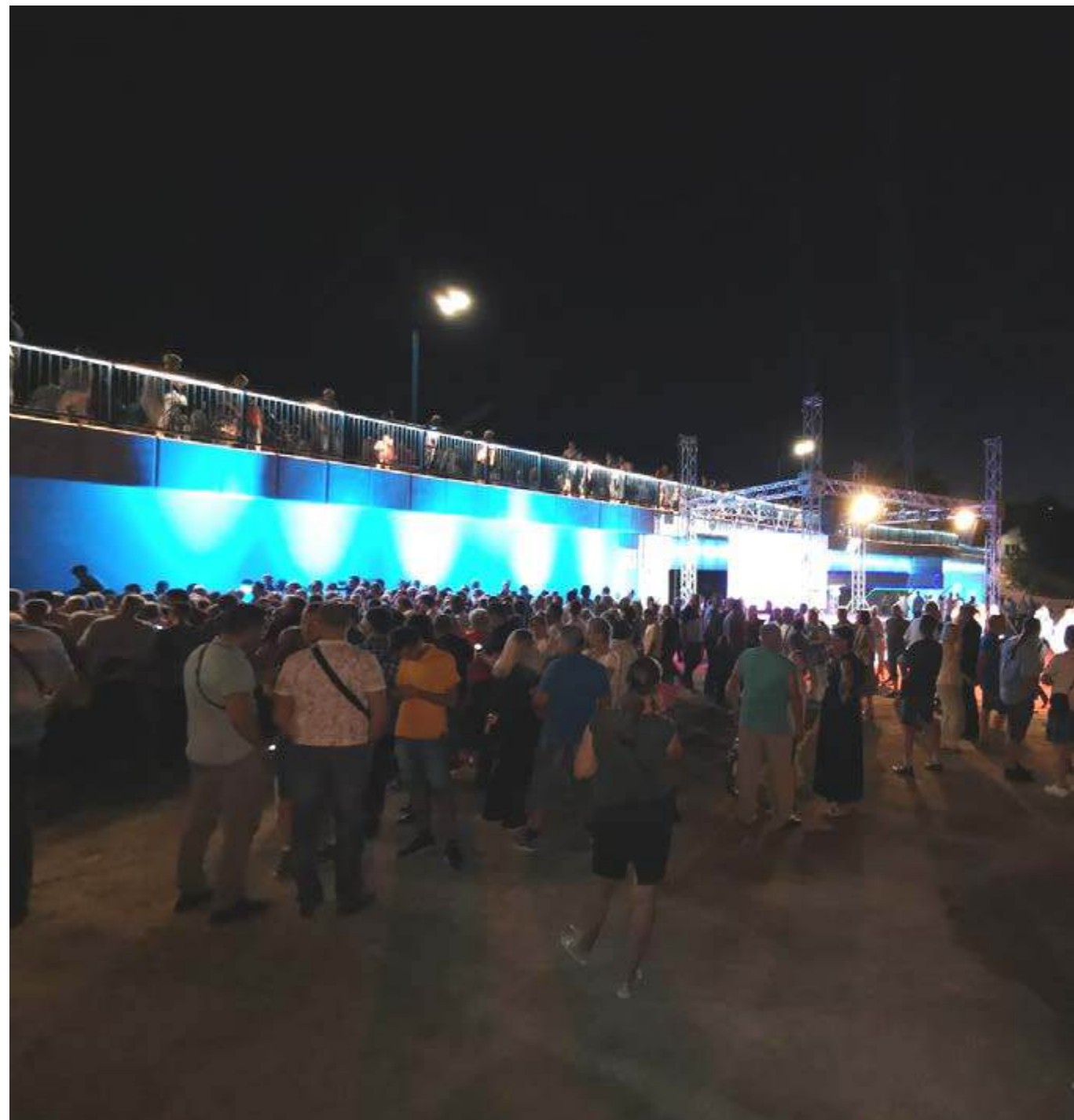
Specification

Model No.:	RS-WW12W-BS(88307)
Front cover & Housing:	Aluminum body
Dimensions:	L500*W44*H62mm(H108mm with bracket)
Tempered Glass:	3mm thickness
LED chip:	Epistar
LED Q'ty:	12pcs 1W LED
Cable gland:	Nickel plated brass PG9
Driver:	Constant current driver
Lens:	Clear, Bead, Frosted
Beam Angle Options:	10° 30° 45° 60° 90°
Power Cable:	2*1.0mm ² / 3*0.75mm ² / 4*0.75mm ² / 2*1.0+3*0.5mm ² VDE rubber cable
Protection Class:	IP65
Environment:	Dry
Mounting Hardware:	Wall Mounted System
Net Weight:	1.6kgs with 1m cable
Lifetime:	>50000H

Order information

Item code	Color	Light source(w)	Line Way	Input Voltage (v)	Operating current (mA)	Consumption (w)	Luminous flux (lm)
88307.121.01	2700-3000K	12*1	V+/V- or L/N/G	DC24, AC90-230	500 / 54-108	12	1080
88307.121.02	4000-4500K	12*1	V+/V- or L/N/G	DC24, AC90-230	500 / 54-108	12	1140
88307.121.03	5000-5500K	12*1	V+/V- or L/N/G	DC24, AC90-230	500 / 54-108	12	1200
88307.121.04	6000-6500K	12*1	V+/V- or L/N/G	DC24, AC90-230	500 / 54-108	12	1200
88307.121.05	Red	12*1	V+/V- or L/N/G	DC24, AC90-230	500 / 54-108	12	300
88307.121.06	Green	12*1	V+/V- or L/N/G	DC24, AC90-230	500 / 54-108	12	720
88307.121.07	Blue	12*1	V+/V- or L/N/G	DC24, AC90-230	500 / 54-108	12	360
88307.121.08	Yellow	12*1	V+/V- or L/N/G	DC24, AC90-230	500 / 54-108	12	840
88307.121.09	RGB-DMX512 (3 channel)	12*1	V+/V- /D+/D-/GND	DC24	R: 166 B:166 G: 166	R: 4 B: 4 G: 4	R: 100 G: 240 B: 120
88307.121.10	Auto changing color	12*1	V+/V-	AC24	R: 166 B:166 G: 166	R: 4 B: 4 G: 4	R: 100 G: 240 B: 120
88307.121.12	RGBV+ (build-in CC driver)	12*1	R/G/B/V+	DC24	R: 166 B:166 G: 166	R: 4 B: 4 G: 4	R: 100 G: 240 B: 120



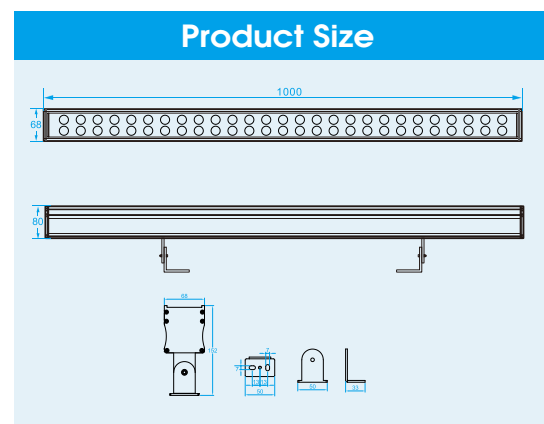


Specification

Model No.:	RS-WW48W-D(88312)
Front cover & Housing:	Aluminum body
Dimensions:	L1000*W68*H80mm(H152mm with bracket)
Tempered Glass:	4mm thickness
LED chip:	Epistar
LED Q'ty:	48pcs 1W LED
Cable gland:	Nickel plated brass PG9
Driver:	Constant current driver
Lens:	Clear, Bead, Frosted
Beam Angle Options:	10° 30° 45° 60° 90°
Power Cable:	2*1.0mm ² / 3*0.75mm ² / 4*0.75mm ² / 2*1.0+3*0.5mm ² VDE rubber cable
Protection Class:	IP65
Environment:	Dry
Mounting Hardware:	Wall Mounted System
Net Weight:	4.8kgs with 1m cable
Lifetime:	>50000H

Order information

Item code	Color	Light source(w)	Line Way	Input Voltage (v)	Operating current (mA)	Consumption (w)	Luminous flux (lm)
88312.481.01	2700-3000K	48*1	V+/V- or L/N/G	DC24, AC90-230	2000 / 218-436	48	4320
88312.481.02	4000-4500K	48*1	V+/V- or L/N/G	DC24, AC90-230	2000 / 218-436	48	4560
88312.481.03	5000-5500K	48*1	V+/V- or L/N/G	DC24, AC90-230	2000 / 218-436	48	4800
88312.481.04	6000-6500K	48*1	V+/V- or L/N/G	DC24, AC90-230	2000 / 218-436	48	4800
88312.481.05	Red	48*1	V+/V- or L/N/G	DC24, AC90-230	2000 / 218-436	48	1200
88312.481.06	Green	48*1	V+/V- or L/N/G	DC24, AC90-230	2000 / 218-436	48	2880
88312.481.07	Blue	48*1	V+/V- or L/N/G	DC24, AC90-230	2000 / 218-436	48	1440
88312.481.08	Yellow	48*1	V+/V- or L/N/G	DC24, AC90-230	2000 / 218-436	48	3360
88312.481.09	RGB-DMX512 (3 channel)	48*1	V+/V- /D+/D-GND	DC24	R: 666 G: 666 B: 666	R: 16 G: 16 B: 16	R: 400 G: 960 B: 480
88312.481.10	Auto changing color	48*1	V+/V-	AC24	R: 666 G: 666 B: 666	R: 16 G: 16 B: 16	R: 400 G: 960 B: 480
88312.481.12	RGBV+ (build-in CC driver)	48*1	R/G/B/V+	DC24	R: 666 G: 666 B: 666	R: 16 G: 16 B: 16	R: 400 G: 960 B: 480

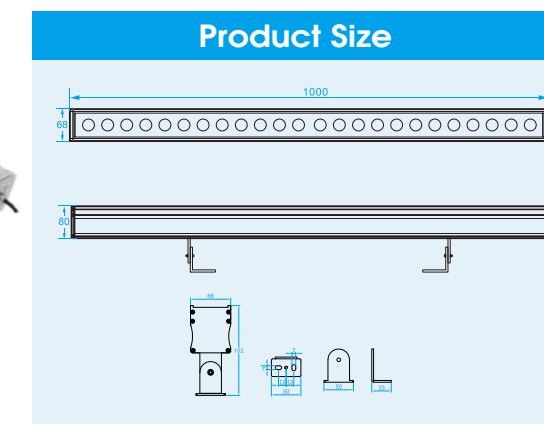


Specification

Model No.:	RS-WW54W-D(88312)
Front cover & Housing:	Aluminum body
Dimensions:	L1000*W68*H80mm(H152mm with bracket)
Tempered Glass:	4mm thickness
LED chip:	Epistar
LED Q'ty:	54pcs 1W LED
Cable gland:	Nickel plated brass PG9
Driver:	Constant current driver
Lens:	Clear, Bead, Frosted
Beam Angle Options:	10° 30° 45° 60° 90°
Power Cable:	2*1.0mm ² / 3*0.75mm ² / 4*0.75mm ² / 2*1.0+3*0.5mm ² VDE rubber cable
Protection Class:	IP65
Environment:	Dry
Mounting Hardware:	Wall Mounted System
Net Weight:	4.8kgs with 1m cable
Lifetime:	>50000H

Order information

Item code	Color	Light source(w)	Line Way	Input Voltage (v)	Operating current (mA)	Consumption (w)	Luminous flux (lm)
88312.541.01	2700-3000K	54*1	V+/V- or L/N/G	DC24, AC90-230	2250 / 245-490	54	4860
88312.541.02	4000-4500K	54*1	V+/V- or L/N/G	DC24, AC90-230	2250 / 245-490	54	5130
88312.541.03	5000-5500K	54*1	V+/V- or L/N/G	DC24, AC90-230	2250 / 245-490	54	5400
88312.541.04	6000-6500K	54*1	V+/V- or L/N/G	DC24, AC90-230	2250 / 245-490	54	5400
88312.541.05	Red	54*1	V+/V- or L/N/G	DC24, AC90-230	2250 / 245-490	54	1350
88312.541.06	Green	54*1	V+/V- or L/N/G	DC24, AC90-230	2250 / 245-490	54	3240
88312.541.07	Blue	54*1	V+/V- or L/N/G	DC24, AC90-230	2250 / 245-490	54	1620
88312.541.08	Yellow	54*1	V+/V- or L/N/G	DC24, AC90-230	2250 / 245-490	54	3780
88312.541.09	RGB-DMX512 (3 channel)	54*1	V+/V- /D+/D-/GND	DC24	R: 750 G: 750 B: 750	R: 18 G: 18 B: 18	R: 450 G: 1080 B: 540
88312.541.10	Auto changing color	54*1	V+/V-	AC24	R: 750 G: 750 B: 750	R: 18 G: 18 B: 18	R: 450 G: 1080 B: 540
88312.541.12	RGBV+ (build-in CC driver)	54*1	R/G/B/V+	DC24	R: 750 G: 750 B: 750	R: 18 G: 18 B: 18	R: 450 G: 1080 B: 540



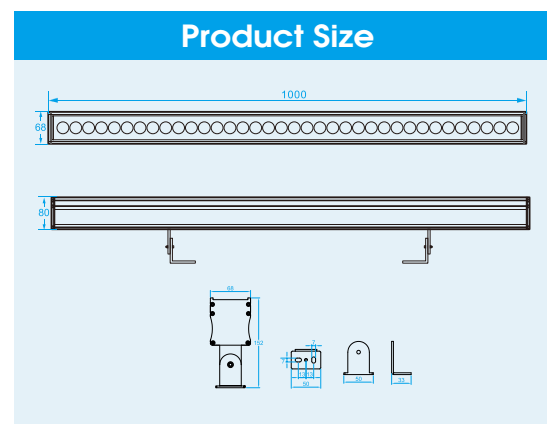
Specification

Model No.:	RS-WW72W-D(88312) / RS-WW96W-D(88312)
Front cover & Housing:	Aluminum body
Dimensions:	L1000*W68*H80mm(H152mm with bracket)
Tempered Glass:	4mm thickness
LED chip:	Epistar
LED Q'ty:	24pcs 3W LED / 32pcs 3W LED
Cable gland:	Nickel plated brass PG9
Driver:	Constant current driver
Lens:	Clear, Bead, Frosted
Beam Angle Options:	10° 30° 45° 60° 90°
Power Cable:	2*1.0mm ² / 3*0.75mm ² / 4*0.75mm ² / 2*1.0+3*0.5mm ² VDE rubber cable
Protection Class:	IP65
Environment:	Dry
Mounting Hardware:	Wall Mounted System
Net Weight:	4.8kgs with 1m cable
Lifetime:	>50000H

Order information

Item code	Color	Light source(w)	Line Way	Input Voltage (v)	Operating current (mA)	Consumption (w)	Luminous flux (lm)
88312.243.01	2700-3000K	24*3	V+/V- or L/N/G	DC24, AC90-230	3000 / 327-654	72	3360
88312.243.02	4000-4500K	24*3	V+/V- or L/N/G	DC24, AC90-230	3000 / 327-654	72	3352
88312.243.03	5000-5500K	24*3	V+/V- or L/N/G	DC24, AC90-230	3000 / 327-654	72	3720
88312.243.04	6000-6500K	24*3	V+/V- or L/N/G	DC24, AC90-230	3000 / 327-654	72	3720
88312.243.05	Red	24*3	V+/V- or L/N/G	DC24, AC90-230	2000 / 218-436	48	840
88312.243.06	Green	24*3	V+/V- or L/N/G	DC24, AC90-230	3000 / 327-654	72	2160
88312.243.07	Blue	24*3	V+/V- or L/N/G	DC24, AC90-230	3000 / 327-654	72	960
88312.243.08	Yellow	24*3	V+/V- or L/N/G	DC24, AC90-230	3000 / 327-654	72	2280
88312.243.09	RGB-DMX512 (3 channel)	24*3	V+/V- /D+/D-/GND	DC24	R: 666 G: 1000 B: 1000	R: 16 G: 24 B: 24	R: 280 G: 720 B: 320
88312.243.10	Auto changing color	24*3	V+/V-	AC24	R: 666 G: 1000 B: 1000	R: 16 G: 24 B: 24	R: 280 G: 720 B: 320
88312.243.11	RGBV+ (build-in CC driver)	24*3	R/G/B/V+	DC24	R: 666 G: 1000 B: 1000	R: 16 G: 24 B: 24	R: 280 G: 720 B: 320
88312.323.12	RGBW-DMX512 (4 channel)	32*3	V+/V- /D+/D-	DC24	R: 666 G: 1000 B: 1000 W: 1000	R: 16 G: 24 B: 24 W: 24	R: 280 G: 720 B: 320 W: 1120



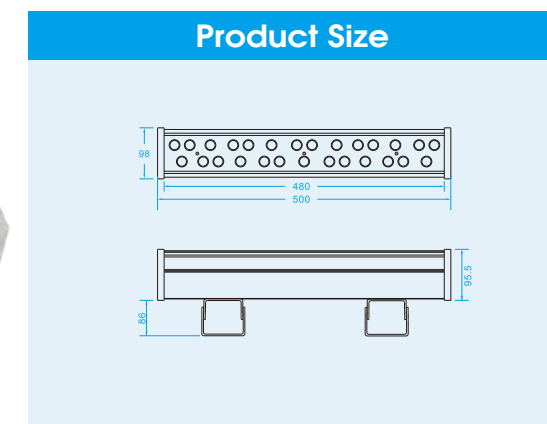


Specification

Model No.:	RS-WW108W-DH(88312)
Front cover & Housing:	Aluminum body
Dimensions:	L1000*W68*H80mm(H152mm with bracket)
Tempered Glass:	4mm thickness
LED chip:	Epistar
LED Q'ty:	36pcs 3W LED
Cable gland:	Nickel plated brass PG9
Driver:	Constant current driver
Lens:	Clear, Bead, Frosted
Beam Angle Options:	10° 30° 45° 60° 90°
Power Cable:	2*1.0mm ² / 3*0.75mm ² / 4*0.75mm ² / 2*1.0+3*0.5mm ² VDE rubber cable
Protection Class:	IP65
Environment:	Dry
Mounting Hardware:	Wall Mounted System
Net Weight:	4.8kgs with 1m cable
Lifetime:	>50000H

Order information

Item code	Color	Light source(w)	Line Way	Input Voltage (v)	Operating current (mA)	Consumption (w)	Luminous flux (lm)	
88312.363.01	2700-3000K	36*3	V+/V- or L/N/G	DC24, AC90-230	4500 / 490-981	108	5040	
88312.363.02	4000-4500K	36*3	V+/V- or L/N/G	DC24, AC90-230	4500 / 490-981	108	5328	
88312.363.03	5000-5500K	36*3	V+/V- or L/N/G	DC24, AC90-230	4500 / 490-981	108	5580	
88312.363.04	6000-6500K	36*3	V+/V- or L/N/G	DC24, AC90-230	4500 / 490-981	108	5580	
88312.363.05	Red	36*3	V+/V- or L/N/G	DC24, AC90-230	3000 / 327-654	72	1260	
88312.363.06	Green	36*3	V+/V- or L/N/G	DC24, AC90-230	4500 / 490-981	108	3240	
88312.363.07	Blue	36*3	V+/V- or L/N/G	DC24, AC90-230	4500 / 490-981	108	1440	
88312.363.08	Yellow	36*3	V+/V- or L/N/G	DC24, AC90-230	4500 / 490-981	108	3420	
88312.363.09	RGB-DMX512 (3 channel)	36*3	V+/V- /D+/D-/GND	DC24	R: 1000 B: 1500	G: 1500 G: 36	R: 420 B: 480	G: 1080
88312.363.10	Auto changing color	36*3	V+/V-	AC24	R: 1000 B: 1500	G: 1500 G: 36	R: 420 B: 480	G: 1080
88312.363.12	RGBV+ (build-in CC driver)	36*3	R/G/B/V+	DC24	R: 1000 B: 1500	G: 1500 G: 36	R: 420 B: 480	G: 1080



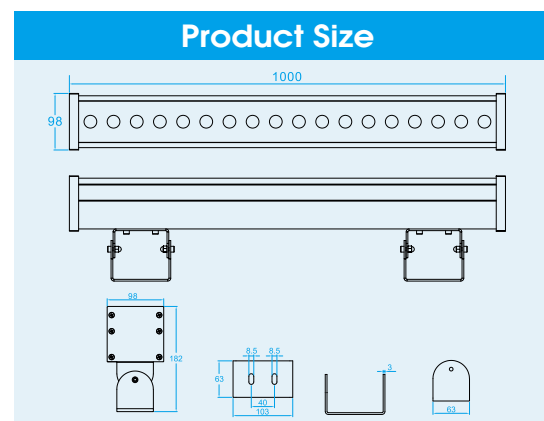
Specification

Model No.:	RS-WW81W-CS(88311)
Front cover & Housing:	Aluminum body
Dimensions:	L500*W98*H95mm(H180mm with bracket)
Tempered Glass:	4mm thickness
LED chip:	Epistar
LED Q'ty:	27pcs 3W LED
Cable gland:	Nickel plated brass PG9
Driver:	Constant current driver
Lens:	Clear, Bead, Frosted
Beam Angle Options:	10° 30° 45° 60° 90°
Power Cable:	2*1.0mm ² / 3*0.75mm ² / 4*0.75mm ² / 2*1.0+3*0.5mm ² VDE rubber cable
Protection Class:	IP65
Environment:	Dry
Mounting Hardware:	Wall Mounted System
Net Weight:	4kgs with 1m cable
Lifetime:	>50000H

Order information

Item code	Color	Light source(w)	Line Way	Input Voltage (v)	Operating current (mA)	Consumption (w)	Luminous flux (lm)	
88311.273.01	2700-3000K	27*3	V+/V- or L/N/G	DC36, AC90-230	2250 / 368-736	81	3780	
88311.273.02	4000-4500K	27*3	V+/V- or L/N/G	DC36, AC90-230	2250 / 368-736	81	3996	
88311.273.03	5000-5500K	27*3	V+/V- or L/N/G	DC36, AC90-230	2250 / 368-736	81	4185	
88311.273.04	6000-6500K	27*3	V+/V- or L/N/G	DC36, AC90-230	2250 / 368-736	81	4185	
88311.273.05	Red	27*3	V+/V- or L/N/G	DC36, AC90-230	1500 / 368-736	54	945	
88311.273.06	Green	27*3	V+/V- or L/N/G	DC36, AC90-230	2250 / 368-736	81	2430	
88311.273.07	Blue	27*3	V+/V- or L/N/G	DC36, AC90-230	2250 / 368-736	81	1080	
88311.273.08	Yellow	27*3	V+/V- or L/N/G	DC36, AC90-230	2250 / 368-736	81	2565	
88311.273.09	RGB-DMX512 (3 channel)	27*3	V+/V- /D+/D-/GND	DC36	R: 500 B: 750	G: 750 G: 27	R: 315 B: 360	G: 810
88311.273.12	RGBV+ (build-in CC driver)	27*3	R/G/B/V+	DC36	R: 500 B: 750	G: 750 G: 27	R: 315 B: 360	G: 810



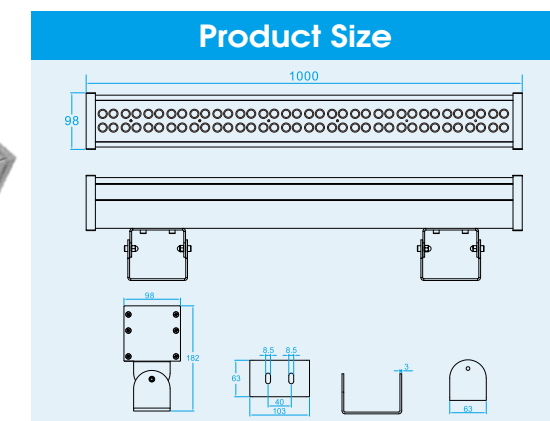


Specification

Model No.:	RS-WW90W-C(88310)
Front cover & Housing:	Aluminum body
Dimensions:	L1000*W98*H95mm(H180mm with bracket)
Tempered Glass:	4mm thickness
LED chip:	Cree
LED Q'ty:	18pcs 5W LED
Cable gland:	Nickel plated brass PG9
Driver:	Constant current driver
Lens:	Clear, Bead, Frosted
Beam Angle Options:	20° 45° 60° 90°
Power Cable:	3*0.75mm ² VDE rubber cable
Protection Class:	IP65
Environment:	Dry
Mounting Hardware:	Wall Mounted System
Net Weight:	6.8kgs with 1m cable
Lifetime:	>50000H

Order information

Item code	Color	Light source(w)	Line Way	Input Voltage (v)	Operating current (mA)	Consumption (w)	Luminous flux (lm)
88310.185.01	2700-3000K	18*5	L/N/G	AC90-230	409-818	90	4200
88310.185.02	4000-4500K	18*5	L/N/G	AC90-230	409-818	90	4440
88310.185.04	6000-6500K	18*5	L/N/G	AC90-230	409-818	90	4650



Specification

Model No.:	RS-WW162W-C(88310) / RS-WW216W-C(88310)
Front cover & Housing:	Aluminum body
Dimensions:	L1000*W98*H95mm(H180mm with bracket)
Tempered Glass:	4mm thickness
LED chip:	Epistar
LED Q'ty:	54pcs 3W LED / 72pcs 3W LED
Cable gland:	Nickel plated brass PG9
Driver:	Constant current driver
Lens:	Clear, Bead, Frosted
Beam Angle Options:	10° 30° 45° 60° 90°
Power Cable:	2*1.0mm ² / 3*0.75mm ² / 4*0.75mm ² / 2*1.0+3*0.5mm ² VDE rubber cable
Protection Class:	IP65
Environment:	Dry
Mounting Hardware:	Wall Mounted System
Net Weight:	6.8kgs with 1m cable
Lifetime:	>50000H

Order information

Item code	Color	Light source(w)	Line Way	Input Voltage (v)	Operating current (mA)	Consumption (w)	Luminous flux (lm)
88310.543.01	2700-3000K	54*3	V+/V- or L/N/G	DC36, AC90-230	4500 / 736-1472	162	7560
88310.543.02	4000-4500K	54*3	V+/V- or L/N/G	DC36, AC90-230	4500 / 736-1472	162	7992
88310.543.03	5000-5500K	54*3	V+/V- or L/N/G	DC36, AC90-230	4500 / 736-1472	162	8370
88310.543.04	6000-6500K	54*3	V+/V- or L/N/G	DC36, AC90-230	4500 / 736-1472	162	8370
88310.543.05	Red	54*3	V+/V- or L/N/G	DC36, AC90-230	4500 / 490-980	108	1890
88310.543.06	Green	54*3	V+/V- or L/N/G	DC36, AC90-230	4500 / 736-1472	162	4860
88310.543.07	Blue	54*3	V+/V- or L/N/G	DC36, AC90-230	4500 / 736-1472	162	2160
88310.543.08	Yellow	54*3	V+/V- or L/N/G	DC36, AC90-230	4500 / 736-1472	162	5130
88310.543.09	RGB-DMX512 (3 channel)	54*3	V+/V- / D+ / D- / GND	DC36	R: 1000 G: 1500 B: 1500	R: 36 G: 54 B: 54	R: 630 G: 1620 B: 720
88310.543.12	RGBV+ (build-in CC driver)	54*3	R/G/B/V+	DC36	R: 1000 G: 1500 B: 1500	R: 36 G: 54 B: 54	R: 630 G: 1620 B: 720
88310.723.13	RGBW-DMX512 (4 channel)	72*3	V+/V- / D+ / D- / GND	DC36	R: 1000 G: 1500 B: 1500 W: 1500	R: 36 G: 54 B: 54 W: 54	R: 630 G: 1620 B: 720 W: 2520

